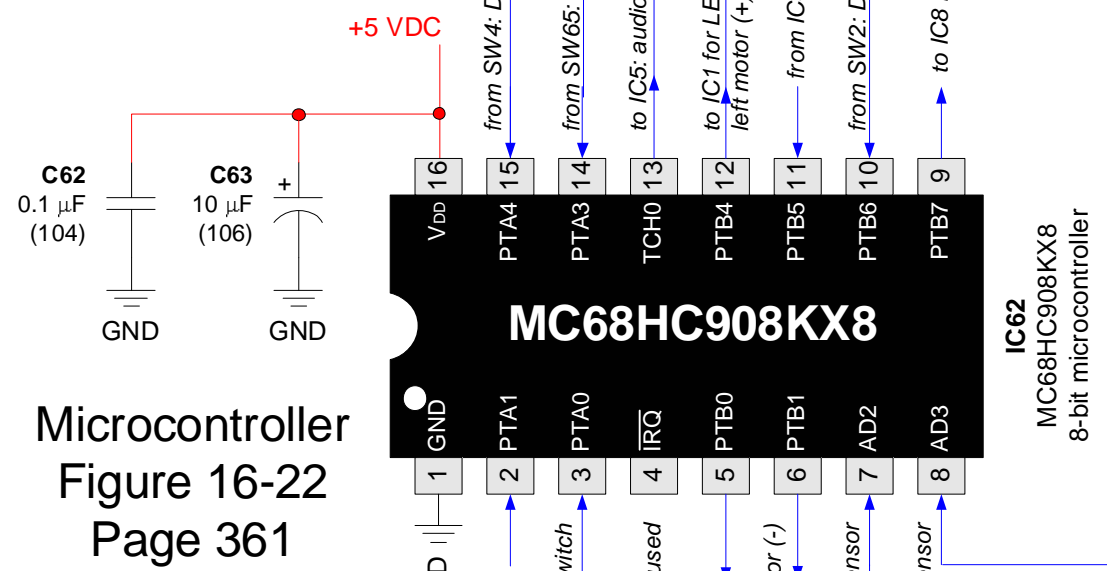
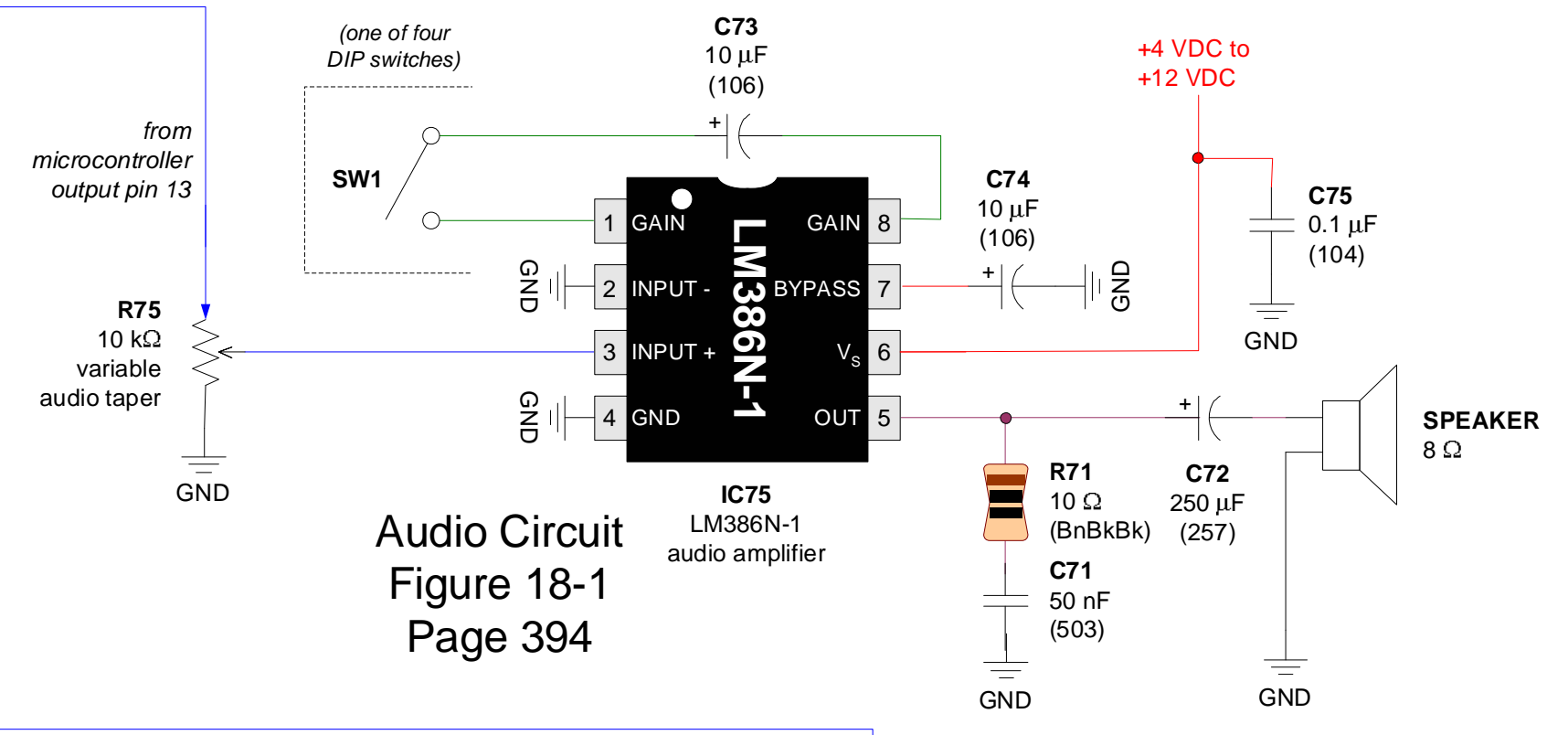


Push Button
Figure 16-23
Page 364

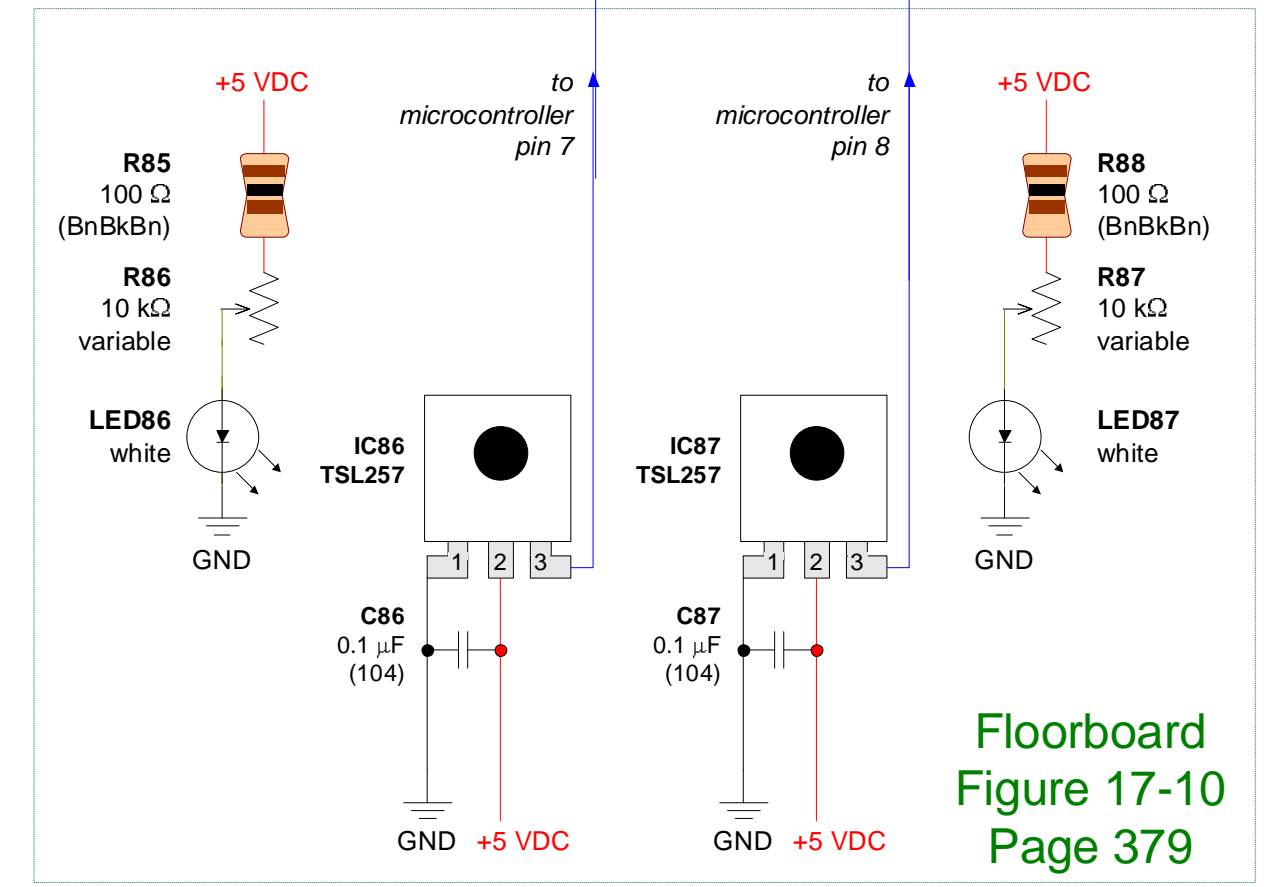
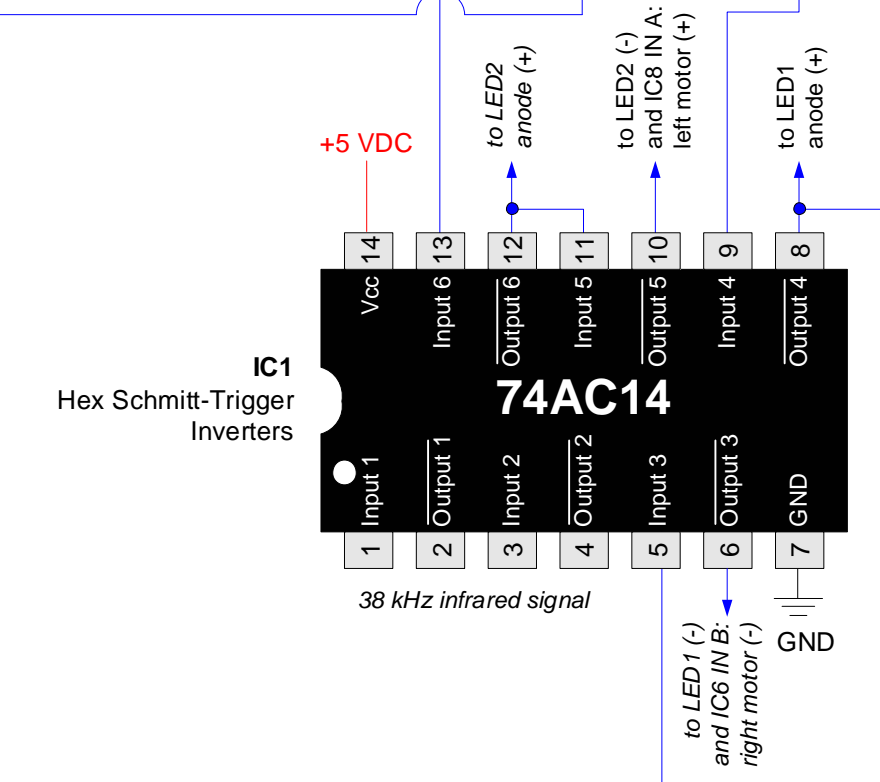
DIP Switch
Figure 16-25
Page 365



Microcontroller
Figure 16-22
Page 361



Audio Circuit
Figure 18-1
Page 394



Floorboard
Figure 17-10
Page 379

Roundabout Daughterboard Schematic
From the book *Intermediate Robot Building*
Published by Apress
Copyright © 2004-2007 by David Cook